



DIN

# NAUE GmbH

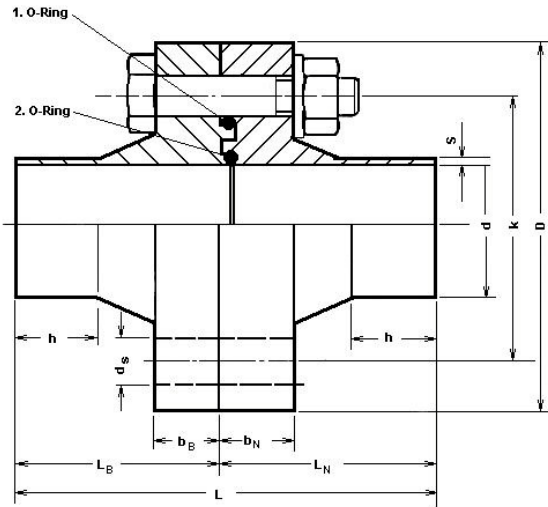
Sondermaschinen - und Filterbau

Am Rotböhl 5

64331 Weiterstadt

Tel. 0 61 50 / 97 38 - 0

Fax. 0 61 50 / 70 18



## STANDARD-Design for manual welding

DN	d DIN	D/K	L	L <sub>B</sub>	L <sub>N</sub>	b <sub>B</sub>	b <sub>N</sub>	h	Screws	ds	O-ring 1	O-ring 2	Part n°
10	12,0 x 1,0	60/40	60	30	30	8	10	6	4/8	9	10,5 x 2,5		05-04003
15	18,0 x 1,5	80/55	68	32	36	8	10	6	4/10	11	15,0 x 3,0		05-04005
20	22,0 x 1,5	85/60	68	32	36	10	12	6	4/10	11	20,0 x 3,0		05-04006
25	28,0 x 1,5	90/65	69	33	36	10	12	6	4/10	11	25,0 x 3,0		05-04007
32	34,0 x 1,5	100/75	73	35	38	10	12	6	4/10	11	30,0 x 3,0		05-04008
40	40,0 x 1,5	110/85	73	35	38	10	12	6	4/12	13	39,0 x 3,0		05-04009
50	52,0 x 1,5	125/98	73	35	38	10	12	6	4/12	13	50,0 x 3,0		05-04010
65	70,0 x 2,0	155/120	73	35	38	13	15	6	4/12	13	66,0 x 4,0		05-04011
80	85,0 x 2,0	170/135	86	41	45	14	16	6	4/12	13	81,0 x 4,0		05-04012
100	104,0 x 2,0	200/160	82	40	42	15	17	6	8/12	13	100,0 x 4,0		05-04013
150	204,0 x 2,0	260/220	82	40	42	15	17	6	8/12	13	150,0 x 4,0		05-04015
200		300/265	86	42	44	17	19	6	8/16	17			05-04016
250		360/315	90	44	46	19	21	6	8/16	17			05-04017
300		420/375	94	46	48	21	24	6	12/16	17			05-04018
350		460/415	98	48	50	22	26	6	8/20	22			05-04019
400		530/485	102	50	52	24	28	6	12/20	22			05-04020

## ORBITAL-long design for automatic welding

DN	d DIN	D/K	L	L <sub>B</sub>	L <sub>N</sub>	b <sub>B</sub>	b <sub>N</sub>	h	Screws	ds	O-ring 1	O-ring 2	Part n°
10	12,0 x 1,0	60/40	80	40	40	8	10	16	4/8	9	10,5 x 2,5		05-04027
15	18,0 x 1,5	65/45	88	42	46	8	10	16	4/10	11	18,5 x 3,0		05-04029
20	22,0 x 1,5	80/55	88	42	46	10	12	16	4/10	11	25,0 x 3,0		05-04030
25	28,0 x 1,5	85/60	89	43	46	10	12	16	4/10	11	30,0 x 3,0		05-04031
32	34,0 x 1,5	90/65	93	45	48	10	12	16	4/10	11	39,0 x 3,0		05-04032
40	40,0 x 1,5	100/75	93	45	48	10	12	16	4/12	13	45,0 x 3,0		05-04033
50	52,0 x 1,5	115/90	93	45	48	10	12	16	4/12	13	55,0 x 3,0		05-04034
65	70,0 x 2,0	155/120	93	45	48	13	15	16	4/12	13			05-04035
80	85,0 x 2,0	170/135	106	51	55	14	16	16	4/1	13			05-04036
100	104,0 x 2,0	180/150	130	64	66	15	17	30	8/12	13			05-04037
150	154,0 x 2,0	240/210	130	64	66	15	17	30	8/12	13			05-04039
200	204,2 x 2,0		134	66	68	17	19	30	8/16	17			05-04040
250			138	68	70	19	21	30	8/16	17			05-04041
300			142	70	72	21	24	30	12/16	17			05-04042
350			146	72	75	22	26	30	8/20	22			05-04043
400			150	74	76	24	28	30	12/20	22			05-04044

Dimensions/part numbers are subject to change without notice

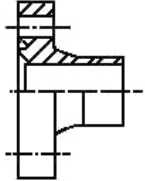
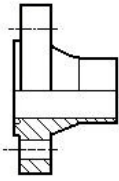
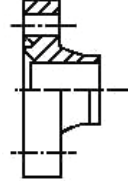
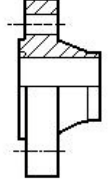
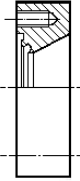
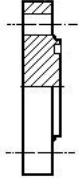
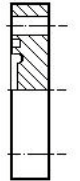


# NAUE GmbH

**Sondermaschinen - und Filterbau**

Am Rotböhl 5  
64331 Weiterstadt

Tel. 0 61 50 / 97 38 - 0  
Fax. 0 61 50 / 70 18

							
	Flange DIN orbital	Flange DIN orbital	Flange DIN standard	Flange DIN standard	Looser flange DIN	Blind flange DIN	Blind flange DIN
DN							
<b>Aseptic flanges with twin O-ring - DIN</b>							
10	05-04102	05-04127	05-04152	05-04177	05-04202	05-04852	05-04827
15	05-04104	05-04129	05-04154	05-04179	05-04204	05-04854	05-04829
20	05-04105	05-04130	05-04155	05-04180	05-04205	05-04855	05-04830
25	05-04106	05-04131	05-04156	05-04181	05-04206	05-04856	05-04831
32	05-04107	05-04132	05-04157	05-04182	05-04206	05-04857	05-04832
40	05-04108	05-04133	05-04158	05-04183	05-04207	05-04858	05-04833
50	05-04109	05-04134	05-04159	05-04184	05-04209	05-04859	05-04834
65	05-04110	05-04135	05-04160	05-04185	05-04210	05-04860	05-04835
80	05-04111	05-04136	05-04161	05-04186	05-04211	05-04861	05-04836
100	05-04112	05-04137	05-04162	05-04187	05-04212	05-04862	05-04837
150	05-04114	05-04139	05-04164	05-04189	05-04214	05-04864	05-04839
200	05-04115	05-04140	05-04165	05-04190	05-04215	05-04865	05-04840
250	05-04116	05-04141	05-04166	05-04191	05-04216	05-04866	05-04841
300	05-04117	05-04142	05-04167	05-04192	05-04217	05-04867	05-04842
350	05-04118	05-04143	05-04168	05-04193	05-04218	05-04868	05-04843
400	05-04119	05-04144	05-04169	05-04194	05-04219	05-04869	05-04845

Dimensions/part numbers are subject to change without notice