



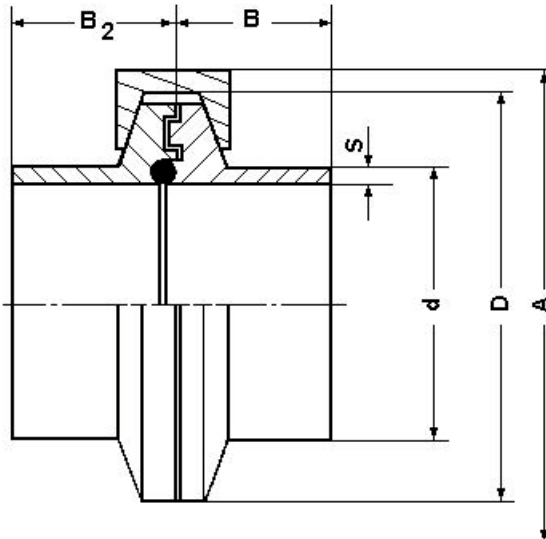
DIN
line 2

NAUE GmbH

Sondermaschinen - und Filterbau

Am Rotböhl 5
64331 Weiterstadt

Tel. 0 61 50 / 97 38 - 0
Fax. 0 61 50 / 70 18



Aseptic-clamp union with two-sided seal face protection

Material	Clamp	1.4571 / 316 L
	Clamp with slot	1.4571 / 316 L
	Clamping ring	A2

Above steel qualities are available ex stock. Other steel qualities such as 316L and other dimensions are available upon request.

STANDARD-Design for manual welding

DN	d x s	D Ø	A	B	Bar	O-ring	Dimension clamping ring	Part n°
10	13,0 x 1,5	50,4	60	20	30	10,5 x 2,5	1,5	05-20003
15	19,0 x 1,5	50,4	60	20	30	16,0 x 3,0	1,5	05-20005
20	23,0 x 1,5	50,4	60	20	30	20,0 x 3,0	1,5	05-20006
25	29,0 x 1,5	50,4	60	20	30	26,0 x 3,0	1,5	05-20007
32	35,0 x 1,5	50,4	60	20	30	32,0 x 3,0	1,5	05-20008
40	41,0 x 1,5	64,0	74	20	30	38,0 x 3,0	2,0	05-20009
50	53,0 x 1,5	77,4	88	20	25	50,0 x 3,0	2,5	05-20010

UNIVERSAL-Long design for automatic welding

DN	d x s	D Ø	A	B	Bar	O-ring	Dimension clamping ring	Part n°
10	13,0 x 1,5	50,4	60	30	30	10,5 x 2,5	1,5	05-20027
15	19,0 x 1,5	50,4	60	30	30	16,0 x 3,0	1,5	05-20029
20	23,0 x 1,5	50,4	60	30	30	20,0 x 3,0	1,5	05-20030
25	29,0 x 1,5	50,4	60	30	30	26,0 x 3,0	1,5	05-20031
32	35,0 x 1,5	50,4	60	30	30	32,0 x 3,0	1,5	05-20032
40	41,0 x 1,5	64,0	74	30	30	38,0 x 3,0	2,0	05-20033
50	53,0 x 1,5	77,4	88	30	25	50,0 x 3,0	2,5	05-20034

Dimensions/part numbers are subject to change without notice

