



ISO

NAUE GmbH

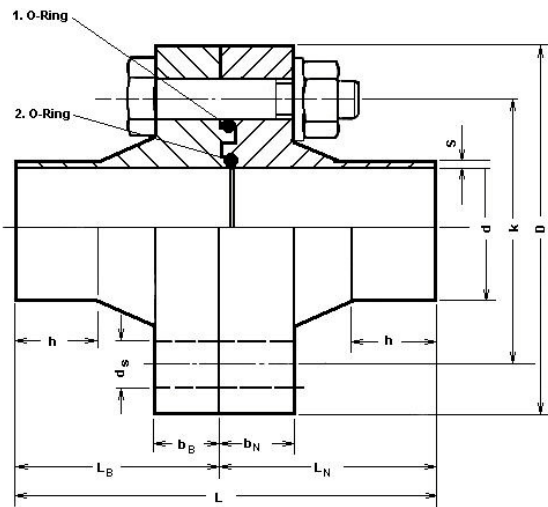
Sondermaschinen - und Filterbau

Am Rotböhl 5

64331 Weiterstadt

Tel. 0 61 50 / 97 38 - 0

Fax. 0 61 50 / 70 18



Aseptic flange
with seal face protection
and twin O-ring

Material	Flange	1.4571 / 316 L
		1.4571 / 316 L

Above steel qualities are available ex stock. Other steel qualities such as 316L and other dimensions are available upon request.

STANDARD-Design for manual welding

DN	d ISO	D/K	L	L _B	L _N	b _B	b _N	h	Screw	ds	O-ring 1	O-ring 2	Part n°
10	13,5 x 1,6	60/40	60	30	30	8	10	6	4/8	9	10,5 x 2,5	22,0 x 3,0	05-03003
12	17,2 x 1,6	65/45	60	30	30	8	10	6	4/8	9	15,0 x 3,0	26,0 x 3,0	05-03004
15	21,3 x 1,6	80/55	68	32	36	8	10	6	4/10	11	18,5 x 3,0	35,0 x 3,0	05-03005
20	26,9 x 1,6	85/60	68	32	36	10	12	6	4/10	11	25,0 x 3,0	39,0 x 3,0	05-03006
25	33,7 x 2,0	90/65	69	33	36	10	12	6	4/10	11	30,0 x 3,0	46,0 x 3,0	05-03007
32	42,4 x 2,0	100/75	73	35	38	10	12	6	4/10	11	39,0 x 3,0	53,0 x 3,0	05-03008
40	48,3 x 2,0	110/85	73	35	38	10	12	6	4/12	13	45,0 x 3,0	63,3 x 3,0	05-03009
50	60,3 x 2,6	125/98	73	35	38	10	12	6	4/12	13	55,0 x 3,0	75,0 x 3,0	05-03010
65	76,0 x 2,6	155/120	73	35	38	13	15	6	4/12	13	72,0 x 4,0	93,0 x 3,0	05-03011
80	88,9 x 2,6	170/135	86	41	45	14	16	6	4/12	13	84,0 x 4,0	105,0 x 3,0	05-03012
100	114,3 x 2,6	200/160	82	40	42	15	17	6	8/12	13	110,0 x 4,0	130,0 x 3,0	05-03013
150	168,3 x 2,6	260/220	82	40	42	15	17	6	8/12	13	163,0 x 4,0	195,0 x 4,0	05-03015
200	219,1 x 2,9	300/265	86	42	44	17	19	6	8/16	17	215,0 x 6,0	232,0 x 4,0	05-03016
250	273,0 x 2,9	360/315	90	44	46	19	21	6	8/16	17	268,0 x 8,0	297,0 x 4,0	05-03017
300	323,9 x 3,2	420/375	94	46	48	21	24	6	12/16	17	320,0 x 8,0	347,0 x 4,0	05-03018
350	355,6 x 3,2	460/415	98	48	50	22	26	6	8/20	22	350,0 x 8,0	397,0 x 4,0	05-03019
400	406,4 x 3,2	530/485	102	50	52	24	28	6	12/20	22	400,0 x 8,0	447,0 x 4,0	05-03020

ORBITAL-long design for automatic welding

DN	d ISO	D/K	L	L _B	L _N	b _B	b _N	h	Screws	ds	O-ring 1	O-ring 2	Part n°
10	13,5 x 1,6	60/40	80	40	40	8	12	16	4/8	9	10,5 x 2,5	22,0 x 3,0	05-03027
12	17,2 x 1,6	65/45	80	40	40	8	12	16	4/8	9	15,0 x 3,0	26,0 x 3,0	05-03028
15	21,3 x 1,6	80/55	88	42	46	8	12	16	4/10	11	18,5 x 3,0	35,0 x 3,0	05-03029
20	26,9 x 1,6	85/60	88	42	46	10	14	16	4/10	11	25,0 x 3,0	39,0 x 3,0	05-03030
25	33,7 x 2,0	90/65	89	43	46	10	14	16	4/10	11	30,0 x 3,0	46,0 x 3,0	05-03031
32	42,4 x 2,0	100/75	93	45	48	10	14	16	4/10	11	39,0 x 3,0	53,0 x 3,0	05-03032
40	48,3 x 2,0	110/85	93	45	48	10	14	16	4/12	13	45,0 x 3,0	63,3 x 3,0	05-03033
50	60,3 x 2,6	125/98	93	45	48	10	14	16	4/12	13	55,0 x 3,0	75,0 x 3,0	05-03034
65	76,0 x 2,6	155/120	93	45	48	13	17	16	4/12	13	72,0 x 4,0	93,0 x 3,0	05-03035
80	88,9 x 2,6	170/135	106	51	55	14	18	16	4/12	13	84,0 x 4,0	105,0 x 3,0	05-03036
100	114,3 x 2,6	200/160	130	64	66	15	19	30	8/12	13	110,0 x 4,0	130,0 x 3,0	05-03037
150	168,3 x 2,6	260/220	130	64	66	15	19	30	8/12	13	163,0 x 4,0	195,0 x 4,0	05-03039
200	219,1 x 2,9	300/265	134	66	68	17	21	30	8/16	17	215,0 x 6,0	232,0 x 4,0	05-03040
250	273,0 x 2,9	360/315	138	68	70	19	23	30	8/16	17	268,0 x 8,0	297,0 x 4,0	05-03041
300	323,9 x 3,2	420/375	142	70	72	21	26	30	12/16	17	320,0 x 8,0	347,0 x 4,0	05-03042
350	355,6 x 3,2	460/415	146	72	75	22	28	30	8/20	22	350,0 x 8,0	397,0 x 4,0	05-03043
400	406,4 x 3,2	530/485	150	74	76	24	30	30	12/20	22	400,0 x 8,0	447,0 x 4,0	05-03044

Dimensions/part numbers are subject to change without notice



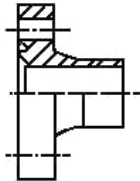
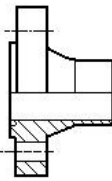
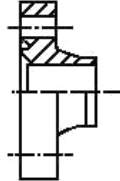
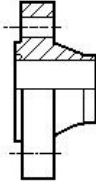
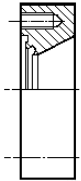
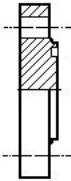
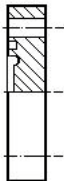
ISO

NAUE GmbH

Sondermaschinen - und Filterbau

Am Rotböhl 5
64331 Weiterstadt

Tel. 0 61 50 / 97 38 - 0
Fax. 0 61 50 / 70 18

							
	Flange ISO orbital	Flange ISO orbital	Flange ISO standard	Flange ISO standard	Looser flange ISO	Blind flange ISO	Blind flange ISO
DN							
Aseptic flanges with twin O-ring - ISO							
10	05-03102	05-03127	05-03152	05-03177	05-03202	05-03852	05-03827
12	05-03103	05-03128	05-03153	05-03178	05-03203	05-03853	05-03828
15	05-03104	05-03129	05-03154	05-03179	05-03204	05-03854	05-03829
20	05-03105	05-03130	05-03155	05-03180	05-03205	05-03855	05-03830
25	05-03106	05-03131	05-03156	05-03181	05-03206	05-03856	05-03831
32	05-03107	05-03132	05-03157	05-03182	05-03206	05-03857	05-03832
40	05-03108	05-03133	05-03158	05-03183	05-03207	05-03858	05-03833
50	05-03109	05-03134	05-03159	05-03184	05-03209	05-03859	05-03834
65	05-03110	05-03135	05-03160	05-03185	05-03210	05-03860	05-03835
80	05-03111	05-03136	05-03161	05-03186	05-03211	05-03861	05-03836
100	05-03112	05-03137	05-03162	05-03187	05-03212	05-03862	05-03837
150	05-03114	05-03139	05-03164	05-03189	05-03214	05-03864	05-03839
200	05-03115	05-03140	05-03165	05-03190	05-03215	05-03865	05-03840
250	05-03116	05-03141	05-03166	05-03191	05-03216	05-03866	05-03841
300	05-03117	05-03142	05-03167	05-03192	05-03217	05-03867	05-03842
350	05-03118	05-03143	05-03168	05-03193	05-03218	05-03868	05-03843
400	05-03119	05-03144	05-03169	05-03194	05-03219	05-03869	05-03845

Dimensions/part numbers are subject to change without notice