



# NAUE GmbH

**Sondermaschinen - und Filterbau**

Am Rotböhl 5  
64331 Weiterstadt

Tel. 0 61 50 / 97 38 0  
Fax. 0 61 50 / 70 18

## NAUE-Aseptic Technology

### Aseptic flanges

with seal face protection

Sterility and cleanliness in Biotechnology and Pharmacy can only be realized permanent by using construction elements with most optimal method of construction. The NAUE-aseptic flange is one of these construction elements.

The present aseptic flange is a perfect tube connection which can be used in Bio-Chemistry, Chemistry, Pharmacy, and food processing industry.

- The Naue-aseptic flange can be used for the production of durable tube connections.
- The Naue-aseptic flange can transduce force which makes it extremely suitable for long and big tubes.
- The construction of the aseptic-flange is such that the O-ring ends in line with the inner surface of the tube. We herewith avoid inner gaps, reduction of the cross section, deep edges and cracks.
- It is chemically extremely resistant.
- Standard material is 1.4571 and 1.4435, on request 1.4539 and Hasteloy C4 etc.
- As seal material any O-ring quality can be used. EPDM is standard.
- Annoying retightening of the connection after the sterilization respectively fluctuation of temperature can be omitted.
- The aseptic flange is dimensioned in such a manner that the O-ring can only be deformed defined and not be damaged.
- All pipeline forces are absorbed by the aseptic flanges without any effect on the seal.
- It is internationally introduced.
- It is compression-proved up to 16 bar
- It is TÜV-type proved.
- It is available from DN 6 to DN 400 in DIN and ISO, as well as in the American OD-tubing series from ¼ to 4 inches.
- It is available in short version (standard) for manual welding as well as in long version (orbital) for automatic welding.
- In comparison with traditional flanges, the aseptic flange is much smaller.
- The piping system can be pigged.
- It is favourable. The additional expenses of this connection are compensated by savings in fabrication.
- The aseptic flanges are provided with surface protection, which avoid a damage of the seal surfaces. If there is a damage of the surface protection, this will not influence the closeness.
- The following accessories to complete your product mix are also at your disposal. Diaphragm manometers, stainless steel sheathed PTFE tubes, silicone sheathed tubes etc.



# NAUE GmbH

**Sondermaschinen - und Filterbau**

Am Rotböll 5  
64331 Weiterstadt

Tel. 0 61 50 / 97 38 0  
Fax. 0 61 50 / 70 18

Bitte beachten Sie, daß NAUE-Steril-Rohrverbindungen präzise gefertigte Qualitätsprodukte sind, die in ihrer Gesamtheit die optimalste Verbindung darstellen.

**WICHTIG** ist hierbei der Einsatz von

**„Präzisions-O-Ringen“**

Ersatz-O-Ringe sollten Sie deshalb direkt bei der Firma NAUE GmbH bestellen.

Ein Einsatz von O-Ringen anderer Lieferanten ist nur nach erfolgter Maßkontrolle statthaft.

**Technische Beratung erhalten Sie bei uns  
kostenlos unter Tel.: 0 61 50 / 97 38 - 0**



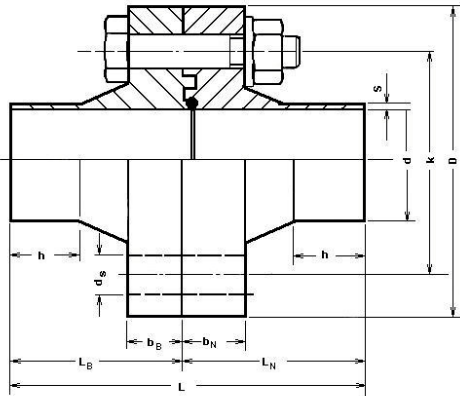
ISO

# NAUE GmbH

Sondermaschinen - und Filterbau

Am Rotböhl 5  
64331 Weiterstadt  
www.naue.de

Tel. 0 61 50 / 97 38 - 0  
Fax. 0 61 50 / 70 18  
Info@naue.de



## Aseptic-flanges with seal face protection

Material	Flange	1.4404 / 316 L
		1.4404 / 316 L

Above steel qualities are available ex stock. Other steel qualities such as 316L and other dimensions are available upon request.

### STANDARD-Design for manual welding

Nominal pressure 16													Nominal pressure 100			Nominal pressure 320		
DN	d ISO	D/K	L	L <sub>B</sub>	L <sub>N</sub>	b <sub>B</sub>	b <sub>N</sub>	h	Screws	ds	O-ring	Part n°	Other dimensions enclosed	Part n°	Other dimensions enclosed	Part n°		
6	8,0 x 1,0										6,0 x 2,5	05-43000		05-50000		05-57000		
8	10,0 x 1,0										8,0 x 2,5	05-43001		05-50001		05-57001		
10	13,5 x 1,6	60/40	60	30	30	8	10	6	4/8	9	10,5 x 2,5	05-43002		05-50002		05-57002		
12	17,2 x 1,6	65/45	60	30	30	8	10	6	4/8	9	15,0 x 3,0	05-43003		05-50003		05-57003		
15	21,3 x 1,6	80/55	68	32	36	8	10	6	4/10	11	18,5 x 3,0	05-43004		05-50004		05-57004		
20	26,9 x 1,6	85/60	68	32	36	10	12	6	4/10	11	25,0 x 3,0	05-43005		05-50005		05-57005		
25	33,7 x 2,0	90/65	69	33	36	10	12	6	4/10	11	30,0 x 3,0	05-43006		05-50006		05-57006		
32	42,4 x 2,0	100/75	73	35	38	10	12	6	4/10	11	39,0 x 3,0	05-43007		05-50007		05-57007		
40	48,3 x 2,0	110/85	73	35	38	10	12	6	4/12	13	45,0 x 3,0	05-43008		05-50008		05-57008		
50	60,3 x 2,6	125/98	73	33	38	10	12	6	4/12	13	55,0 x 3,0	05-43009		05-50009		05-57009		
65	76,0 x 2,6	155/120	73	35	38	13	15	6	4/12	13	72,0 x 4,0	05-43010		05-50010		05-57010		
80	88,9 x 2,6	170/135	86	41	45	14	16	6	4/12	13	84,0 x 4,0	05-43011		05-50011		05-57011		
100	114,3 x 2,6	200/160	82	40	42	15	17	6	8/12	13	110,0 x 4,0	05-43012		05-50012		05-57012		
150	168,3 x 2,6	260/220	82	40	42	15	17	6	8/12	13	163,0 x 4,0	05-43014		05-50014		05-57014		
200	219,1 x 2,9	300/265	86	42	44	17	19	6	8/16	17	215,0 x 6,0	05-43015		05-50015		05-57015		
250	273,0 x 2,9	360/315	90	44	46	19	21	6	8/16	17	268,0 x 8,0	05-43016		05-50016		05-57016		
300	323,9 x 3,2	420/375	94	46	48	21	24	6	12/16	17	320,0 x 8,0	05-43017		05-50017		05-57017		
350	355,6 x 3,2	460/415	98	48	50	22	26	6	8/20	22	350,0 x 8,0	05-43018		05-50018		05-57018		
400	406,4 x 3,2	530/485	102	50	52	24	28	6	12/20	22	400,0 x 8,0	05-43019	05-50019	05-57019				

### ORBITAL-Long design for automatic welding

Nominal pressure 16													Nominal pressure 100			Nominal pressure 320		
DN	d ISO	D/K	L	L <sub>B</sub>	L <sub>N</sub>	b <sub>B</sub>	b <sub>N</sub>	H	Screws	ds	O-ring	Part n°	Other dimensions enclosed	Part n°	Other dimensions enclosed	Part n°		
6	8,0 x 1,0										6,0 x 2,5	05-43050		05-50050		05-57050		
8	10,0 x 1,0										8,0 x 2,5	05-43051		05-50051		05-57051		
10	13,5 x 1,6	60/40	80	40	40	8	10	16	4/8	9	10,5 x 2,5	05-43052		05-50052		05-57052		
12	17,2 x 1,6	65/45	80	40	40	8	10	16	4/8	9	15,0 x 3,0	05-43053		05-50053		05-57053		
15	21,3 x 1,6	80/55	88	42	46	8	10	16	4/10	11	18,5 x 3,0	05-43054		05-50054		05-57054		
20	26,9 x 1,6	85/60	88	42	46	10	12	16	4/10	11	25,0 x 3,0	05-43055		05-50055		05-57055		
25	33,7 x 2,0	90/65	89	43	46	10	12	16	4/10	11	30,0 x 3,0	05-43056		05-50056		05-57056		
32	42,4 x 2,0	100/75	93	45	48	10	12	16	4/10	11	39,0 x 3,0	05-43057		05-50057		05-57057		
40	48,3 x 2,0	110/85	93	45	48	10	12	16	4/12	13	45,0 x 3,0	05-43058		05-50058		05-57058		
50	60,3 x 2,6	125/98	93	45	48	10	12	16	4/12	13	55,0 x 3,0	05-43059		05-50059		05-57059		
65	76,0 x 2,6	155/120	93	45	48	13	15	16	4/12	13	72,0 x 4,0	05-43060		05-50060		05-57060		
80	88,9 x 2,6	170/135	106	51	55	14	16	16	4/12	13	84,0 x 4,0	05-43061		05-50061		05-57061		
100	114,3 x 2,6	200/160	130	64	66	15	17	30	8/12	13	110,0 x 4,0	05-43062		05-50062		05-57062		
150	168,3 x 2,6	260/220	130	64	66	15	17	30	8/12	13	163,0 x 4,0	05-43064		05-50064		05-57064		
200	219,1 x 2,9	300/265	134	66	68	17	19	30	8/16	17	215,0 x 6,0	05-43065		05-50065		05-57065		
250	273,0 x 2,9	360/315	138	68	70	19	21	30	8/16	17	268,0 x 8,0	05-43066		05-50066		05-57066		
300	323,9 x 3,2	420/375	142	70	72	21	24	30	12/16	17	320,0 x 8,0	05-43067		05-50067		05-57067		
350	355,6 x 3,2	460/415	146	72	74	22	26	30	8/20	22	350,0 x 8,0	05-43068		05-50068		05-57068		
400	406,4 x 3,2	530/485	150	74	76	24	28	30	12/20	22	400,0 x 8,0	05-43069	05-50069	05-57069				

Dimensions/part numbers are subject to change without notice



**ISO**

# NAUE GmbH

**Sondermaschinen - und Filterbau**

Am Rotböhl 5  
64331 Weiterstadt  
[www.naue.de](http://www.naue.de)

Tel. 0 61 50 / 97 38 – 0  
Fax. 0 61 50 / 70 18  
[info@naue.de](mailto:info@naue.de)

DN	Flange ISO orbital	Flange ISO orbital	Flange ISO standard	Flange ISO standard	Looser flange ISO	Blind flange ISO	Blind flange ISO
<b>Aseptic flanges ISO – Nominal pressure 16</b>							
6	05-43100	05-43125	05-43150	05-43175	05-43200	05-43850	05-43825
8	05-43101	05-43126	05-43151	05-43176	05-43201	05-43851	05-43826
10	05-43102	05-43127	05-43152	05-43177	05-43202	05-43852	05-43827
12	05-43103	05-43128	05-43153	05-43178	05-43203	05-43853	05-43828
15	05-43104	05-43129	05-43154	05-43179	05-43204	05-43854	05-43829
20	05-43105	05-43130	05-43155	05-43180	05-43205	05-43855	05-43830
25	05-43106	05-43131	05-43156	05-43181	05-43206	05-43856	05-43831
32	05-43107	05-43132	05-43157	05-43182	05-43207	05-43857	05-43832
40	05-43108	05-43133	05-43158	05-43183	05-43208	05-43858	05-43833
50	05-43109	05-43134	05-43159	05-43184	05-43209	05-43859	05-43834
65	05-43110	05-43135	05-43160	05-43185	05-43210	05-43860	05-43835
80	05-43111	05-43136	05-43161	05-43186	05-43211	05-43861	05-43836
100	05-43112	05-43137	05-43162	05-43187	05-43212	05-43862	05-43837
150	05-43114	05-43139	05-43164	05-43189	05-43214	05-43864	05-43839
200	05-43115	05-43140	05-43165	05-43190	05-43215	05-43865	05-43840
250	05-43116	05-43141	05-43166	05-43191	05-43216	05-43866	05-43841
300	05-43117	05-43142	05-43167	05-43192	05-43217	05-43867	05-43842
350	05-43118	05-43143	05-43168	05-43193	05-43218	05-43868	05-43843
400	05-43119	05-43144	05-43169	05-43194	05-43219	05-43869	05-43845
<b>Aseptic flanges ISO – Nominal pressure 100</b>							
6	05-50100	05-50125	05-50150	05-50175	05-50200	05-50850	05-50825
8	05-50101	05-50126	05-50151	05-50176	05-50201	05-50851	05-50826
10	05-50102	05-50127	05-50152	05-50177	05-50202	05-50852	05-50827
12	05-50103	05-50128	05-50153	05-50178	05-50203	05-50853	05-50828
15	05-50104	05-50129	05-50154	05-50179	05-50204	05-50854	05-50829
20	05-50105	05-50130	05-50155	05-50180	05-50205	05-50855	05-50830
25	05-50106	05-50131	05-50156	05-50181	05-50206	05-50856	05-50831
32	05-50107	05-50132	05-50157	05-50182	05-50207	05-50857	05-50832
40	05-50108	05-50133	05-50158	05-50183	05-50208	05-50858	05-50833
50	05-50109	05-50134	05-50159	05-50184	05-50209	05-50859	05-50834
65	05-50110	05-50135	05-50160	05-50185	05-50210	05-50860	05-50835
80	05-50111	05-50136	05-50161	05-50186	05-50211	05-50861	05-50836
100	05-50112	05-50137	05-50162	05-50187	05-50212	05-50862	05-50837
150	05-50114	05-50139	05-50164	05-50189	05-50214	05-50864	05-50839
200	05-50115	05-50140	05-50165	05-50190	05-50215	05-50865	05-50840
250	05-50116	05-50141	05-50166	05-50191	05-50216	05-50866	05-50841
300	05-50117	05-50142	05-50167	05-50192	05-50217	05-50867	05-50842
350	05-50118	05-50143	05-50168	05-50193	05-50218	05-50868	05-50843
400	05-50119	05-50144	05-50169	05-50194	05-50219	05-50869	05-50845
<b>Aseptic flanges ISO – Nominal pressure 320</b>							
6	05-57100	05-57125	05-57150	05-57175	05-57200	05-57850	05-57825
8	05-57101	05-57126	05-57151	05-57176	05-57201	05-57851	05-57826
10	05-57102	05-57127	05-57152	05-57177	05-57202	05-57852	05-57827
12	05-57103	05-57128	05-57153	05-57178	05-57203	05-57853	05-57828
15	05-57104	05-57129	05-57154	05-57179	05-57204	05-57854	05-57829
20	05-57105	05-57130	05-57155	05-57180	05-57205	05-57855	05-57830
25	05-57106	05-57131	05-57156	05-57181	05-57206	05-57856	05-57831
32	05-57107	05-57132	05-57157	05-57182	05-57207	05-57857	05-57832
40	05-57108	05-57133	05-57158	05-57183	05-57208	05-57858	05-57833
50	05-57109	05-57134	05-57159	05-57184	05-57209	05-57859	05-57834
65	05-57110	05-57135	05-57160	05-57185	05-57210	05-57860	05-57835
80	05-57111	05-57136	05-57161	05-57186	05-57211	05-57861	05-57836
100	05-57112	05-57137	05-57162	05-57187	05-57212	05-57862	05-57837
150	05-57114	05-57139	05-57164	05-57189	05-57214	05-57864	05-57839
200	05-57115	05-57140	05-57165	05-57190	05-57215	05-57865	05-57840
250	05-57116	05-57141	05-57166	05-57191	05-57216	05-57866	05-57841
300	05-57117	05-57142	05-57167	05-57192	05-57217	05-57867	05-57842
350	05-57118	05-57143	05-57168	05-57193	05-57218	05-57868	05-57843
400	05-57119	05-57144	05-57169	05-57194	05-57219	05-57869	05-57844

Dimensions/part numbers are subject to change without notice



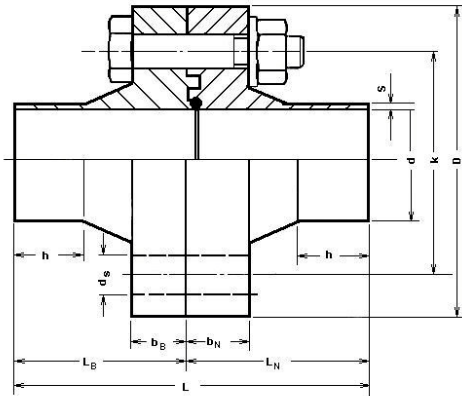
**DIN**

# NAUE GmbH

## Sondermaschinen - und Filterbau

Am Rotböhl 5  
64331 Weiterstadt  
www.naue.de

Tel. 0 61 50 / 97 38 - 0  
Fax. 0 61 50 / 70 18  
Info@naue.de



### Aseptic-flanges with seal face protection

Material	flange	1.4404 / 316 L
		1.4404 / 316 L

Above steel qualities are available ex stock. Other steel qualities such as 316L and other dimensions are available upon request.

### STANDARD-Design for manual welding

Nominal pressure 16														Nominal pressure 100			Nominal pressure 320		
DN	d ISO	D/K	L	L <sub>B</sub>	L <sub>N</sub>	b <sub>B</sub>	b <sub>N</sub>	h	Screws	ds	O-ring	Part n°	Other dimensions enclosed						
6	8,0 x 1,0										6,0 x 2,5	05-44000	05-51000	05-58000					
8	10,0 x 1,0										8,0 x 2,5	05-44001	05-51001	05-58001					
10	12,0 x 1,0	60/40	60	30	30	8	10	6	4/8	9	10,5 x 2,5	05-44002	05-51002	05-55002					
15	18,0 x 1,5	80/55	68	32	36	8	10	6	4/10	11	150 x 3,0	05-44004	05-51004	05-58004					
20	22,0 x 1,5	85/60	68	32	36	10	12	6	4/10	11	20,0 x 3,0	05-44005	05-51005	05-58005					
25	28,0 x 1,5	90/65	69	33	36	10	12	6	4/10	11	25,0 x 3,0	05-44006	05-51006	05-58006					
32	34,0 x 1,5	100/75	73	35	38	10	12	6	4/10	11	30,0 x 3,0	05-44007	05-51007	05-58007					
40	40,0 x 1,5	110/85	73	35	38	10	12	6	4/12	13	39,0 x 3,0	05-44008	05-51008	05-58008					
50	52,0 x 1,5	125/98	73	33	38	10	12	6	4/12	13	50,0 x 3,0	05-44009	05-51009	05-58009					
65	70,0 x 2,0	155/120	73	35	38	13	15	6	4/12	13	66,0 x 4,0	05-44010	05-51010	05-58010					
80	85,0 x 2,0	170/135	86	41	45	14	16	6	4/12	13	81,0 x 4,0	05-44011	05-51011	05-58011					
100	104,0 x 2,0	200/160	82	40	42	15	17	6	8/12	13	100,0 x 4,0	05-44012	05-51012	05-58012					
150	154,0 x 2,0	260/220	82	40	42	15	17	6	8/12	13	150,0 x 4,0	05-44014	05-51014	05-58014					
200	204,2 x 2,0	300/265	86	42	44	17	19	6	8/16	17		05-44015	05-51015	05-58015					
250		360/315	90	44	46	19	21	6	8/16	17		05-44016	05-51016	05-58016					
300		420/375	94	46	48	21	24	6	12/16	17		05-44017	05-51017	05-58017					
350		460/415	98	48	50	22	26	6	8/20	22		05-44018	05-51018	05-58018					
400		530/485	102	50	52	24	28	6	12/20	22		05-44019	05-51019	05-58019					

### ORBITAL-Long design for automatic welding

Nominal pressure 16														Nominal pressure 100			Nominal pressure 320		
DN	d ISO	D/K	L	L <sub>B</sub>	L <sub>N</sub>	b <sub>B</sub>	b <sub>N</sub>	h	Screws	ds	O-ring	Part n°	Other dimensions enclosed						
6	8,0 x 1,0										6,0 x 2,5	05-44050	05-51050	05-58050					
8	10,0 x 1,0										8,0 x 2,5	05-44051	05-51051	05-58051					
10	12,0 x 1,0	60/40	80	40	40	8	10	16	4/8	9	10,5 x 2,5	05-44052	05-51052	05-58052					
15	18,0 x 1,5	80/55	88	42	46	8	10	16	4/10	11	150 x 3,0	05-44054	05-51054	05-58054					
20	22,0 x 1,5	85/60	88	42	46	10	12	16	4/10	11	20,0 x 3,0	05-44055	05-51055	05-58055					
25	28,0 x 1,5	90/65	89	43	46	10	12	16	4/10	11	25,0 x 3,0	05-44056	05-51056	05-58056					
32	34,0 x 1,5	100/75	93	45	48	10	12	16	4/10	11	30,0 x 3,0	05-44057	05-51057	05-58057					
40	40,0 x 1,5	110/85	93	45	48	10	12	16	4/12	13	39,0 x 3,0	05-44058	05-51058	05-58058					
50	52,0 x 1,5	125/98	93	45	48	10	12	16	4/12	13	50,0 x 3,0	05-44059	05-51059	05-58059					
65	70,0 x 2,0	155/120	93	45	48	13	15	16	4/12	13	66,0 x 4,0	05-44060	05-51060	05-58060					
80	85,0 x 2,0	170/135	106	51	55	14	16	16	4/12	13	81,0 x 4,0	05-44061	05-51061	05-58061					
100	104,0 x 2,0	200/160	130	64	66	15	17	30	8/12	13	100,0 x 4,0	05-44062	05-51062	05-58062					
150	154,0 x 2,0	260/220	130	64	66	15	17	30	8/12	13	150,0 x 4,0	05-44064	05-51064	05-58064					
200	204,2 x 2,0	300/265	134	66	68	17	19	30	8/16	17		05-44065	05-51065	05-58065					
250		360/315	138	68	70	19	21	30	8/16	17		05-44066	05-51066	05-58066					
300		420/375	142	70	72	21	24	30	12/16	17		05-44067	05-51067	05-58067					
350		460/415	146	72	74	22	26	30	8/20	22		05-44068	05-51068	05-58068					
400		530/485	150	74	76	24	28	30	12/20	22		05-44069	05-51069	05-58069					

Dimensions/part numbers are subject to change without notice



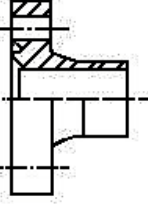
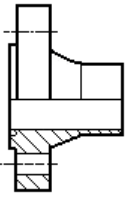
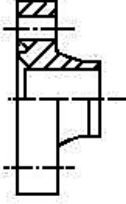
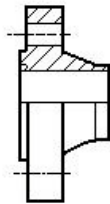
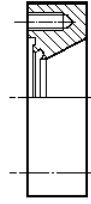
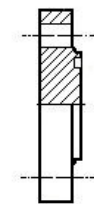

**DIN**

# NAUE GmbH

**Sondermaschinen - und Filterbau**

Am Rotböhl 5  
64331 Weiterstadt  
[www.naue.de](http://www.naue.de)

Tel. 0 61 50 / 97 38 – 0  
Fax. 0 61 50 / 70 18  
[info@naue.de](mailto:info@naue.de)

DN							
	Flange	Flange	Flange	Flange	Looser flange	Blind flange	Blind flange
	DIN orbital	DIN orbital	DIN standard	DIN standard	DIN	DIN	DIN
<b>Aseptic flanges DIN – Nominal pressure 16</b>							
6	05-44100	05-44125	05-44150	05-44175	05-44200	05-44850	05-44825
8	05-44101	05-44126	05-44151	05-44176	05-44201	05-44851	05-44826
10	05-44102	05-44127	05-44152	05-44177	05-44202	05-44852	05-44827
15	05-44104	05-44129	05-44154	05-44179	05-44204	05-44854	05-44829
20	05-44105	05-44130	05-44155	05-44180	05-44205	05-44855	05-44830
25	05-44106	05-44131	05-44156	05-44181	05-44206	05-44856	05-44831
32	05-44107	05-44132	05-44157	05-44182	05-44207	05-44857	05-44832
40	05-44108	05-44133	05-44158	05-44183	05-44208	05-44858	05-44833
50	05-44109	05-44134	05-44159	05-44184	05-44209	05-44859	05-44834
65	05-44110	05-44135	05-44160	05-44185	05-44210	05-44860	05-44835
80	05-44111	05-44136	05-44161	05-44186	05-44211	05-44861	05-44836
100	05-44112	05-44137	05-44162	05-44187	05-44212	05-44862	05-44837
150	05-44114	05-44139	05-44164	05-44189	05-44214	05-44864	05-44839
200	05-44115	05-44140	05-44165	05-44190	05-44215	05-44865	05-44840
250	05-44116	05-44141	05-44166	05-44191	05-44216	05-44866	05-44841
300	05-44117	05-44142	05-44167	05-44192	05-44217	05-44867	05-44842
350	05-44118	05-44143	05-44168	05-44193	05-44218	05-44868	05-44843
400	05-44119	05-44144	05-44169	05-44194	05-44219	05-44869	05-44845
<b>Aseptic flanges DIN – Nominal pressure 100</b>							
6	05-51100	05-51125	05-51150	05-51175	05-51200	05-51850	05-51825
8	05-51101	05-51126	05-51151	05-51176	05-51201	05-51851	05-51826
10	05-51102	05-51127	05-51152	05-51177	05-51202	05-51852	05-51827
15	05-51104	05-51129	05-51154	05-51179	05-51204	05-51854	05-51829
20	05-51105	05-51130	05-51155	05-51180	05-51205	05-51855	05-51830
25	05-51106	05-51131	05-51156	05-51181	05-51206	05-51856	05-51831
32	05-51107	05-51132	05-51157	05-51182	05-51207	05-51857	05-51832
40	05-51108	05-51133	05-51158	05-51183	05-51208	05-51858	05-51833
50	05-51109	05-51134	05-51159	05-51184	05-51209	05-51859	05-51834
65	05-51110	05-51135	05-51160	05-51185	05-51210	05-51860	05-51835
80	05-51111	05-51136	05-51161	05-51186	05-51211	05-51861	05-51836
100	05-51112	05-51137	05-51162	05-51187	05-51212	05-51862	05-51837
150	05-51114	05-51139	05-51164	05-51189	05-51214	05-51864	05-51839
200	05-51115	05-51140	05-51165	05-51190	05-51215	05-51865	05-51840
250	05-51116	05-51141	05-51166	05-51191	05-51216	05-51866	05-51841
300	05-51117	05-51142	05-51167	05-51192	05-51217	05-51867	05-51842
350	05-51118	05-51143	05-51168	05-51193	05-51218	05-51868	05-51843
400	05-51119	05-51144	05-51169	05-51194	05-51219	05-51869	05-51845
<b>Aseptic flanges DIN – Nominal pressure 320</b>							
6	05-58100	05-58125	05-58150	05-58175	05-58200	05-58850	05-58825
8	05-58101	05-58126	05-58151	05-58176	05-58201	05-58851	05-58826
10	05-58102	05-58127	05-58152	05-58177	05-58202	05-58852	05-58827
15	05-58104	05-58129	05-58154	05-58179	05-58204	05-58854	05-58829
20	05-58105	05-58130	05-58155	05-58180	05-58205	05-58855	05-58830
25	05-58106	05-58131	05-58156	05-58181	05-58206	05-58856	05-58831
32	05-58107	05-58132	05-58157	05-58182	05-58207	05-58857	05-58832
40	05-58108	05-58133	05-58158	05-58183	05-58208	05-58858	05-58833
50	05-58109	05-58134	05-58159	05-58184	05-58209	05-58859	05-58834
65	05-58110	05-58135	05-58160	05-58185	05-58210	05-58860	05-58835
80	05-58111	05-58136	05-58161	05-58186	05-58211	05-58861	05-58836
100	05-58112	05-58137	05-58162	05-58187	05-58212	05-58862	05-58837
150	05-58114	05-58139	05-58164	05-58189	05-58214	05-58864	05-58839
200	05-58115	05-58140	05-58165	05-58190	05-58215	05-58865	05-58840
250	05-58116	05-58141	05-58166	05-58191	05-58216	05-58866	05-58841
300	05-58117	05-58142	05-58167	05-58192	05-58217	05-58867	05-58842
350	05-58118	05-58143	05-58168	05-58193	05-58218	05-58868	05-58843
400	05-58119	05-58144	05-58169	05-58194	05-58219	05-58869	05-58844

Dimensions/part numbers are subject to change without notice

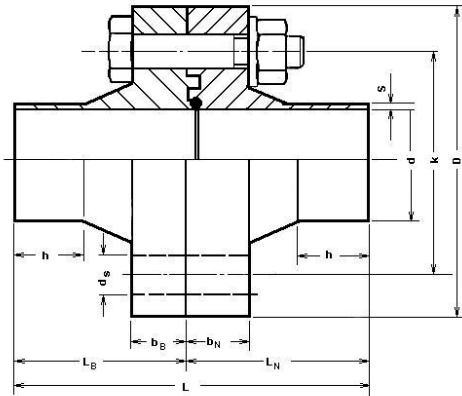


# NAUE GmbH

## Sondermaschinen - und Filterbau

Am Rotböhl 5  
64331 Weiterstadt  
www.naue.de

Tel. 0 61 50 / 97 38 - 0  
Fax. 0 61 50 / 70 18  
Info@naue.de



### Aseptic-flanges with seal face protection

Material	Flange	1.4404 / 316 L
		1.4404 / 316 L

Above steel qualities are available ex stock. Other steel qualities such as 316L and other dimensions are available upon request.

### STANDARD-Design for manual welding

Nominal pressure 16													Nominal pressure 100		Nominal pressure 320	
DN	d ISO	D/K	L	L <sub>B</sub>	L <sub>N</sub>	b <sub>B</sub>	b <sub>N</sub>	h	Screws	ds	O-ring	Part n°	Other dimensions enclosed	Part n°	Other dimensions enclosed	Part n°
10	13,0 x 1,5	60/40	60	30	30	8	10	6	4/8	9	10,5 x 2,5	05-46002		05-53002		05-60002
15	19,0 x 1,5	80/55	68	32	36	8	10	6	4/10	11	18,5 x 3,0	05-46004		05-53004		05-60004
20	23,0 x 1,5	85/60	68	32	36	10	12	6	4/10	11	25,0 x 3,0	05-46005		05-53005		05-60005
25	29,0 x 1,5	90/65	69	33	36	10	12	6	4/10	11	30,0 x 3,0	05-46006		05-53006		05-60006
32	35,0 x 1,5	100/75	73	35	38	10	12	6	4/10	11	39,0 x 3,0	05-46007		05-53007		05-60007
40	41,0 x 1,5	110/85	73	35	38	10	12	6	4/12	13	45,0 x 3,0	05-46008		05-53008		05-60008
50	53,0 x 1,5	125/98	73	33	38	10	12	6	4/12	13	55,0 x 3,0	05-46009	05-53009	05-60009		

### ORBITAL-Long design for automatic welding

Nominal pressure 16													Nominal pressure 100		Nominal pressure 320	
DN	d ISO	D/K	L	L <sub>B</sub>	L <sub>N</sub>	b <sub>B</sub>	b <sub>N</sub>	h	Screws	ds	O-ring	Part n°	Other dimensions enclosed	Part n°	Other dimensions enclosed	Part n°
10	13,0 x 1,5	60/40	80	40	40	8	10	16	4/8	9	10,5 x 2,5	05-46052		05-53052		05-60052
15	19,0 x 1,5	80/55	88	42	46	8	10	16	4/10	11	18,5 x 3,0	05-46054		05-53054		05-60054
20	23,0 x 1,5	85/60	88	42	46	10	12	16	4/10	11	25,0 x 3,0	05-46055		05-53055		05-60055
25	29,0 x 1,5	90/65	89	43	46	10	12	16	4/10	11	30,0 x 3,0	05-46056		05-53056		05-60056
32	35,0 x 1,5	100/75	93	45	48	10	12	16	4/10	11	39,0 x 3,0	05-46057		05-53057		05-60057
40	41,0 x 1,5	110/85	93	45	48	10	12	16	4/12	13	45,0 x 3,0	05-46058		05-53058		05-60058
50	53,0 x 1,5	125/98	93	45	48	10	12	16	4/12	13	55,0 x 3,0	05-46059	05-53059	05-60059		

Dimensions/part numbers are subject to change without notice





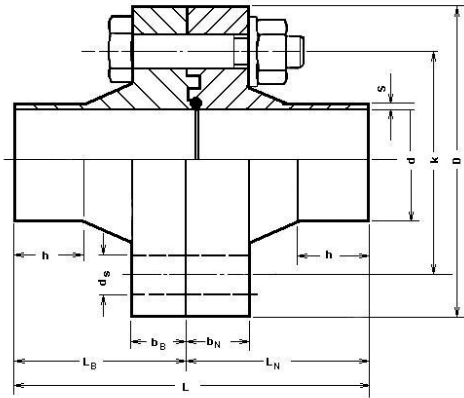
US  
o.D.Tubing

# NAUE GmbH

## Sondermaschinen - und Filterbau

Am Rotböhl 5  
64331 Weiterstadt  
www.naue.de

Tel. 0 61 50 / 97 38 - 0  
Fax. 0 61 50 / 70 18  
Info@naue.de



### Aseptic-flanges with seal face protection

Material	Flange	1.4404 / 316 L
		1.4404 / 316 L

Above steel qualities are available ex stock. Other steel qualities such as 316L and other dimensions are available upon request.

### STANDARD-Design for manual welding

Nominal pressure 16													Nominal pressure 100		Nominal pressure 320	
DN	d ISO	D/K	L	L <sub>B</sub>	L <sub>N</sub>	b <sub>B</sub>	b <sub>N</sub>	H	Screws	ds	O-ring	Part n°	Other dimensions enclosed	Part n°	Other dimensions enclosed	Part n°
1/2	12,70 x 1,22	60/40	60	30	30	8	10	6	4/8	9	10,0 x 2,5	05-45002		05-52002		05-59002
3/4	19,05 x 1,65	65/45	68	32	36	8	10	6	4/10	11	16,0 x 3,0	05-45004		05-52004		05-59004
1	25,40 x 1,65	85/60	68	32	36	10	12	6	4/10	11	22,0 x 3,0	05-45005		05-52005		05-59005
1 1/2	38,10 x 1,65	95/70	69	33	36	10	12	6	4/10	11	36,0 x 3,0	05-45006		05-52006		05-59006
2	50,80 x 1,65	115/90	73	35	38	10	12	6	4/10	11	48,0 x 3,0	05-45007		05-52007		05-59007
2 1/2	63,50 x 1,65	125/100	73	35	38	10	12	6	4/12	13	61,0 x 3,0	05-45008		05-52008		05-59008
3	76,20 x 1,65	155/122	73	35	38	10	12	6	4/12	13	74,0 x 3,0	05-45009		05-52009		05-59009
3 1/2	88,90 x 2,10	170/135	86	41	45	13	15	6	4/12	13	85,0 x 4,0	05-45010		05-52010		05-59010
4	101,60 x 2,10	200/160	86	41	45	14	16	6	8/12	13	100,0 x 5,0	05-45011		05-52011		05-59011

### ORBITAL-Long design for automatic welding

Nominal pressure 16													Nominal pressure 100		Nominal pressure 320	
DN	d ISO	D/K	L	L <sub>B</sub>	L <sub>N</sub>	b <sub>B</sub>	b <sub>N</sub>	H	Screws	ds	O-ring	Part n°	Other dimensions enclosed	Part n°	Other dimensions enclosed	Part n°
1/2	12,70 x 1,22	60/40	80	40	40	8	10	16	4/8	9	10,0 x 2,5	05-45052		05-52052		05-59052
3/4	19,05 x 1,65	65/45	88	42	46	8	10	16	4/10	11	16,0 x 3,0	05-45054		05-52054		05-59054
1	25,40 x 1,65	85/60	88	42	46	10	12	16	4/10	11	22,0 x 3,0	05-45055		05-52055		05-59055
1 1/2	38,10 x 1,65	95/70	89	43	46	10	12	16	4/10	11	36,0 x 3,0	05-45056		05-52056		05-59056
2	50,80 x 1,65	115/90	93	45	48	10	12	16	4/10	11	48,0 x 3,0	05-45057		05-52057		05-59057
2 1/2	63,50 x 1,65	125/100	93	45	48	10	12	16	4/12	13	61,0 x 3,0	05-45058		05-52058		05-59058
3	76,20 x 1,65	155/122	93	45	48	10	15	16	4/12	13	74,0 x 3,0	05-45059		05-52059		05-59059
3 1/2	88,90 x 2,10	170/135	106	51	55	14	16	16	4/12	13	85,0 x 4,0	05-45060		05-52060		05-59060
4	101,60 x 2,10	200/160	130	64	66	15	16	30	8/12	13	100,0 x 5,0	05-45061		05-52061		05-59061

Dimensions/part numbers are subject to change without notice

