

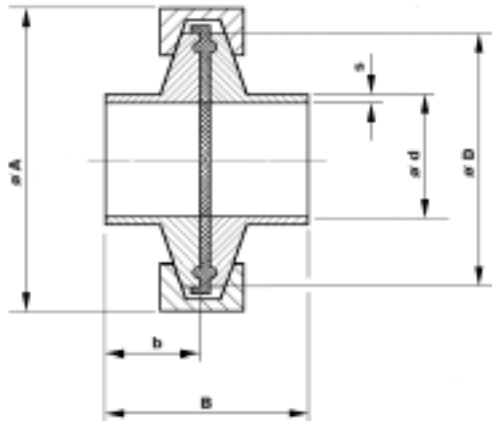


NAUE GmbH

Sondermaschinen - und Filterbau

Am Rotböhl 5
64331 Weiterstadt
www.naue.de

Tel. 0 61 50 / 97 38 - 0
Fax. 0 61 50 / 70 18
Info@naue.de



Klemmring ähnlich DIN 32676

| | | |
|----------|-------------|----------------|
| Material | Bundstutzen | 1.4404 / 316 L |
| | Nutstutzen | 1.4404 / 316 L |
| | Klammer | A 2 |

Andere Werkstoffe und Abmessungen auf Anfrage

STANDARD-SCHWEISS-AUSFÜHRUNG

| DN | D x s | D | A | b | B | Verschluss ß Größe | Verschluss Bestell-Nr. | Komplett- Verbindung Bestell-Nr. |
|-----|-------------|-----|-----|------|----|-----------------------|---------------------------|--|
| 10 | 13,5 x 1,6 | 50 | 60 | 21,5 | 45 | 1 ½ | 05-38201 | 05-38003 |
| 12 | 17,2 x 1,6 | 50 | 60 | 21,5 | 45 | 1 ½ | 05-38201 | 05-38004 |
| 15 | 21,3 x 1,6 | 50 | 60 | 21,5 | 45 | 1 ½ | 05-38201 | 05-38005 |
| 20 | 26,9 x 1,6 | 50 | 60 | 21,5 | 45 | 1 ½ | 05-38201 | 05-38006 |
| 25 | 33,7 x 2,0 | 50 | 60 | 21,5 | 45 | 1 ½ | 05-38201 | 05-38007 |
| 32 | 42,4 x 2,0 | 64 | 74 | 21,5 | 45 | 2 | 05-38202 | 05-38008 |
| 40 | 48,3 x 2,0 | 64 | 74 | 21,5 | 45 | 2 | 05-38202 | 05-38009 |
| 50 | 60,3 x 2,6 | 91 | 100 | 21,5 | 45 | 3 | 05-38204 | 05-38010 |
| 65 | 76,0 x 2,6 | 91 | 100 | 28,0 | 58 | 3 | 05-38204 | 05-38011 |
| 80 | 88,9 x 2,6 | 106 | 115 | 28,0 | 58 | 3 ½ | 05-38205 | 05-38012 |
| 100 | 114,3 x 2,6 | 154 | 165 | 28,0 | 58 | 6 | 05-38209 | 05-38013 |
| 150 | 168,3 x 2,6 | 168 | 180 | 28,0 | 58 | 7 | 05-38210 | 05-38015 |

ISO

| | | | | | | | | |
|-----|-------------|-----|-----|------|----|-----|----------|----------|
| 10 | 12,0 x 1,0 | 34 | 45 | 18,0 | 38 | ¾ | 05-38200 | 05-39003 |
| 15 | 18,0 x 1,5 | 34 | 45 | 18,0 | 38 | ¾ | 05-38200 | 05-39005 |
| 20 | 22,0 x 1,5 | 34 | 45 | 18,0 | 38 | ¾ | 05-38200 | 05-39006 |
| 25 | 28,0 x 1,5 | 50 | 60 | 21,5 | 45 | 1 ½ | 05-38201 | 05-39007 |
| 32 | 34,0 x 1,5 | 50 | 60 | 21,5 | 45 | 1 ½ | 05-38201 | 05-39008 |
| 40 | 40,0 x 1,5 | 50 | 60 | 21,5 | 45 | 1 ½ | 05-38201 | 05-39009 |
| 50 | 52,0 x 1,5 | 64 | 74 | 21,5 | 45 | 2 | 05-38202 | 05-39010 |
| 65 | 70,0 x 2,0 | 91 | 100 | 28,0 | 58 | 3 | 05-38204 | 05-39011 |
| 80 | 85,0 x 2,0 | 106 | 115 | 28,0 | 58 | 3 ½ | 05-38205 | 05-39012 |
| 100 | 104,0 x 2,0 | 119 | 130 | 28,0 | 58 | 4 | 05-38206 | 05-39013 |
| 125 | 129,0 x 2,0 | 154 | 165 | 28,0 | 58 | 6 | 05-38209 | 05-39014 |
| 150 | 154,0 x 2,0 | 168 | 180 | 28,0 | 58 | 7 | 05-38210 | 05-39015 |
| 200 | 204,0 x 2,0 | 220 | 230 | 28,0 | 58 | | 05-38211 | 05-39016 |

DIN
DIN 32672

| | | | | | | | | |
|-----|---------------|-----|-----|------|----|-----|----------|----------|
| ½ | 12,70 x 1,65 | 50 | 60 | 21,5 | 45 | 1 ½ | 05-38201 | 05-40003 |
| ¾ | 19,05 x 1,65 | 50 | 60 | 21,5 | 45 | 1 ½ | 05-38201 | 05-40005 |
| 1 | 25,40 x 1,65 | 50 | 60 | 21,5 | 45 | 1 ½ | 05-38201 | 05-40007 |
| 1 ½ | 38,10 x 1,65 | 50 | 60 | 21,5 | 45 | 1 ½ | 05-38201 | 05-40009 |
| 2 | 50,80 x 1,65 | 64 | 74 | 21,5 | 45 | 2 | 05-38202 | 05-40010 |
| 2 ½ | 63,50 x 1,65 | 91 | 100 | 21,5 | 45 | 3 | 05-38204 | 05-40011 |
| 3 | 76,20 x 1,65 | 91 | 100 | 21,5 | 45 | 3 | 05-38204 | 05-40012 |
| 4 | 101,60 x 2,10 | 119 | 130 | 21,5 | 45 | 4 | 05-38206 | 05-40014 |

US o.D. Tubing

| | | | | | | | | |
|----|------------|----|----|------|----|-----|----------|----------|
| 10 | 13,0 x 1,5 | 50 | 60 | 21,5 | 45 | 1 ½ | 05-38201 | 05-41003 |
| 15 | 19,0 x 1,5 | 50 | 60 | 21,5 | 45 | 1 ½ | 05-38201 | 05-41005 |
| 20 | 23,0 x 1,5 | 50 | 60 | 21,5 | 45 | 1 ½ | 05-38201 | 05-41006 |
| 25 | 29,0 x 1,5 | 50 | 60 | 21,5 | 45 | 1 ½ | 05-38201 | 05-41007 |
| 32 | 35,0 x 1,5 | 50 | 60 | 21,5 | 45 | 1 ½ | 05-38201 | 05-41008 |
| 40 | 41,0 x 1,5 | 50 | 60 | 21,5 | 45 | 1 ½ | 05-38201 | 05-41009 |
| 50 | 53,0 x 1,5 | 64 | 74 | 21,5 | 45 | 2 | 05-38202 | 05-41010 |

DIN Baureihe 2

Änderungen vorbehalten